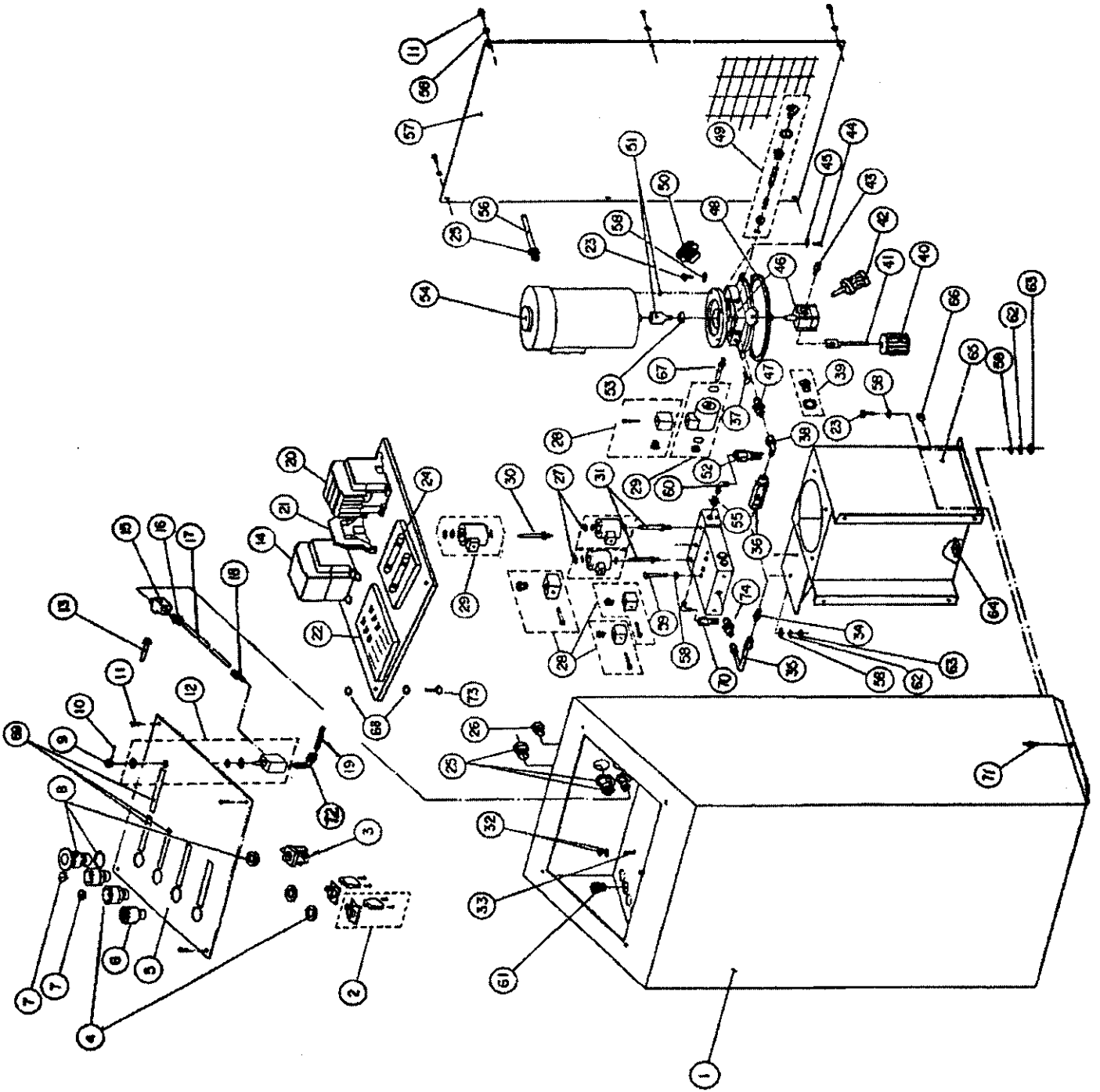


# BAYSAVER POWER PACK



## BAYSAVER POWER PACK PART LIST

| ITEM | QTY | DESCRIPTION                                       | PART # |
|------|-----|---|--------|
| 1    | 1   | CONSOLE WELDMENT                                  | 4-0356 |
| 2    | 2   | PUSHBUTTON CONTACTS                               | 6-1248 |
| 3    | 1   | EMERGENCY PUSHBUTTON CONTACT                      | 6-1250 |
| 4    | 2   | PUSHBUTTON  | 6-1247 |
| 5    | 1   | TOP COVER   | 2-0962 |
| 6    | 1   | GREEN LED, 24mm                                   | 6-2177 |
| 7    | 2   | PUSHBUTTON PLATE (UP/DOWN ARROW)                  | 6-1251 |
| 8    | 1   | EMERGENCY STOP PUSHBUTTON W/ RESET                | 6-1249 |
| 9    | 1   | BUTTON  | 6-1052 |
| 10   | 1   | SOCKET HD. SET SCREW                              | 6-1051 |
| 11   | 10  | BUTTON HD. SOCKET CAP SCREW, 1/4"-28UNF X 3/8"LG. | 6-0441 |
| 12   | 1   | AIR VALVE ASS'Y                                   | 6-1055 |
| 13   | 1   | 3/8"DIA. PVC BRAIDED HOSE. 16'LG. C/W FITTINGS    | 6-1345 |
| 14   | 1   | TRANSFORMER, 220V                                 | 6-2126 |
|      | 1   | TRANSFORMER, 600V                                 | 6-2147 |
| 15   | 1   | TEE, 1/4"NPT M TO 1/4"NPT F TO 1/4"NPT F          | 6-0014 |
| 16   | 1   | ADAPTER, 1/4"DIA. POLYTUBE TO 1/4"NPT M           | 6-1347 |
| 17   | 1   | 1/4" POLYTUBE, 12"LG.                             | 6-1343 |
| 18   | 1   | ADAPTER, 1/4"DIA. POLYTUBE TO 1/8"NPT M           | 6-0708 |
| 19   | 1   | 1/4" POLYTUBE, 30'LG.                             | 6-1270 |
| 20   | 1   | CONTACTOR BOARD, 3PH, 24V COIL                    | 6-2172 |
|      | 1   | CONTACTOR BOARD, 1PH, 24V COIL                    | 6-2173 |
| 21   | 1   | THERMAL OVERLOAD, 1.8A - 2.8A (575V/3PH ONLY)     | 6-2174 |
|      | 1   | THERMAL OVERLOAD, 6.0A - 9.2A (220V/3PH ONLY)     | 6-2176 |
| 22   | 1   | PRINTED CIRCUIT BOARD                             | 6-2125 |
| 23   | 8   | HEX HD. BOLT, 1/4"-20UNC X 1"LG.                  | 6-0901 |
| 24   | 2   | FUSE, 2A 600V                                     | 6-2178 |
| 25   | 3   | STRAIN RELIEF, 1/2"                               | 6-0094 |
| 26   | 1   | BULKHEAD, 1/4"NPT                                 | 6-0713 |
| 27   | 2   | SOLENOID COIL (ROUND)                             | 6-2114 |
| 28   | 4   | SOLENOID ELECTRICAL PLUG                          | 6-0091 |
| 29   | 2   | SOLENOID COIL (SQUARE)                            | 6-2128 |
| 30   | 1   | SPOOL VALVE (RESQUARE)                            | 6-1364 |
| 31   | 2   | SPOOL VALVE (C/W MANUAL OVERRIDE)                 | 6-2129 |
| 32   | 2   | NUT #10-24UNC                                     | 6-1346 |
| 33   | 1   | BOLT #10-24UNC X 1/2"LG                           | 6-0815 |
| 34   | 1   | ADAPTER, 3/8"NPT M TO 3/8"JIC M                   | 6-0011 |
| 35   | 1   | TUBE ELBOW  | 1-0102 |
| 36   | 1   | FLOW CONTROL                                      | 6-0090 |
| 37   | 1   | PLUG  | 6-0089 |
| 38   | 1   | 90° ELBOW, 3/8"JIC F TO 3/8"NPT M                 | 6-1294 |
| 39   | 1   | OIL LEVEL SIGHT PLUG                              | 6-0517 |
| 40   | 1   | STRAINER  | 6-0434 |
| 41   | 1   | FLANGE & PIPE FOR STRAINER                        | 6-0428 |
| 42   | 1   | OIL FILTER  | 6-0097 |
| 43   | 1   | PRESSURE TIME DELAY VALVE                         | 6-0144 |

| ITEM | QTY | DESCRIPTION                                 | PART # |
|------|-----|---|--------|
| 44   | 4   | HEX HD. BOLT, 3/8"-16UNC X 1"LG.            | 6-0067 |
| 45   | 4   | LOCKWASHER, 3/8" I.D.                       | 6-0058 |
| 46   | 1   | PUMP ASS'Y                                  | 6-0433 |
| 47   | 1   | ADAPTER, 14mm "O" RING TO 3/8" JIC M        | 6-0020 |
| 48   | 1   | RUBBER GASKET                               | 1-0225 |
| 49   | 1   | PRESSURE RELIEF VALVE                       | 6-0431 |
| 50   | 1   | FILLER CAP                                  | 6-0099 |
| 51   | 1   | SHAFT ADAPTER W/SETSCREW                    | 6-0429 |
| 52   | 1   | HYDRAULIC HOSE ASSEMBLY                     | 2-1050 |
| 53   | 1   | COUPLING                                    | 6-0430 |
| 54   | 1   | MOTOR, 220V / 1PH                           | 6-0087 |
|      | 1   | MOTOR, 220V / 3PH                           | 6-0446 |
|      | 1   | MOTOR, 575V / 3PH                           | 6-0447 |
| 55   | 2   | FILTER FITTING ASSY.                        | 6-2127 |
| 56   | 2   | MOTOR CABLE, 1PH                            | 1-0104 |
|      | 2   | MOTOR CABLE, 3PH                            | 1-1824 |
| 57   | 1   | ACCESS COVER                                | 3-0497 |
| 58   | 22  | FLATWASHER, 1/4" I.D.                       | 6-0060 |
| 59   | 2   | HEX HD. BOLT, 1/2"-20UNC X 2 3/4" LG.       | 6-0648 |
| 60   | 2   | 90 DEG ELBOW, 3/8" JIC-M, 3/8" JIC-F SWIVEL | 6-0813 |
| 61   | 6   | STRAIN RELIEF, 1/4"                         | 6-0092 |
| 62   | 6   | LOCKWASHER, 1/4" I.D.                       | 6-0056 |
| 63   | 6   | HEX NUT, 1/4"-20UNC                         | 6-0032 |
| 64   | 1   | MAGNET                                      | 6-0405 |
| 65   | 1   | OIL RESERVOIR                               | 4-0797 |
| 66   | 1   | PLUG, 3/8" NPT                              | 6-0102 |
| 67   | 1   | SOLENOID SPOOL VALVE                        | 6-0101 |
| 68   | 8   | NUT, #8-32NC                                | 6-1095 |
| 69   | 1   | DECAL SET                                   | 6-1344 |
| 70   | 1   | HYDRAULIC HOSE ASSEMBLY                     | 2-1049 |
| 71   | 2   | CONCRETE NAIL, 1/4" X 1" LG.                | 6-0141 |
| 72   | 1   | 1/4" POLYTUBE TO 1/8" NPT 90° ELBOW ADAPTER | 6-0709 |
| 73   | 4   | BOLT, #8-32NC X 1" LG.                      | 6-1094 |
| 74   | 1   | ADAPTER 1/2" BSP-M TO 3/8" JIC-M            | 6-2297 |
| 9K   |     | POWERPACK (COMPLETE) 220V, 1PH              | 4-0798 |
| 9K   |     | POWERPACK (COMPLETE) 220V, 3PH              | 4-0801 |
| 9K   |     | POWERPACK (COMPLETE) 575V, 3PH              | 4-0802 |